



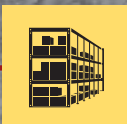
**STRONG PARTNERS.
TOUGH TRUCKS.™**



VNA MAN-UP TRUCKS

C1.0, C1.3, C1.5

1000 – 1500KG @ 600MM



C1.0, C1.3, C1.3 80, C1.3 L, C1.5 S, C1.5 M, C1.5 L

| | | | |
|----------------------|-----|---|--------|
| DISTINGUISHING MARKS | 1.1 | Manufacturer (abbreviation) | |
| | 1.2 | Manufacturer's type designation | |
| | 1.3 | Drive: electric (battery or mains), diesel, petrol, fuel gas | |
| | 1.4 | Operator type: hand, pedestrian, standing, seated, order-picker | |
| | 1.5 | Rated capacity / rated load | Q (t) |
| | 1.6 | Load centre distance | c (mm) |
| | 1.8 | Load distance, centre of drive axle to fork | x (mm) |
| | 1.9 | Wheelbase | y (mm) |

| | | | |
|---------|-----|--|----|
| WEIGHTS | 2.1 | Service weight | kg |
| | 2.2 | Axle loading, laden front/rear | kg |
| | 2.3 | Axle loading, unladen front/rear | kg |
| | 2.4 | Axle loading, fork advanced, laden front/rear | kg |
| | 2.5 | Axle loading, fork retracted, laden front/rear | kg |

| | | | |
|-----------------|-----|---|----------------------|
| TYRES / CHASSIS | 3.1 | Tyres: polyurethane, tophane, vulkollan, front/rear | |
| | 3.2 | Tyre size, front | |
| | 3.3 | Tyre size, rear | |
| | 3.5 | Wheels, number front/rear (x = driven wheels) | |
| | 3.6 | Tread, front | b ₁₀ (mm) |
| | 3.7 | Tread, rear | b ₁₁ (mm) |

| | | | |
|------------|--|---|-------------------------------------|
| DIMENSIONS | 4.2 | Height, mast lowered | h ₁ (mm) |
| | 4.3 | Free lift | h ₂ (mm) |
| | 4.4 | Lift | h ₃ (mm) |
| | 4.5 | Height, mast extended | h ₄ (mm) |
| | 4.7 | Height of overhead guard (cabin) | h ₈ (mm) |
| | 4.8 | Seat height relating to SIP/stand height | h ₇ (mm) |
| | 4.11 | Additional Lift | h ₁₀ (mm) |
| | 4.14 | Stand height, elevated | h ₁₂ (mm) |
| | 4.15 | Height, lowered | h ₁₃ (mm) |
| | 4.19 | Overall length | l ₁ (mm) |
| | 4.20 | Length to face of forks | l ₂ (mm) |
| | 4.21 | Overall width | b ₁ /b ₂ (mm) |
| | 4.22 | Fork dimensions DIN ISO 2331 | s/e/l (mm) |
| | 4.23 | Fork carriage ISO 2328, class/type A, B | |
| | 4.24 | Fork-carriage width | b ₃ (mm) |
| | 4.25 | Distance between fork-arms | b ₅ (mm) |
| | 4.27 | Width across guide rollers | b ₆ (mm) |
| | 4.29 | Reach, lateral | b ₇ (mm) |
| | 4.31 | Ground clearance, laden, below mast | m ₁ (mm) |
| | 4.32 | Ground clearance, center of wheelbase | m ₂ (mm) |
| | 4.34.2 | Aisle width for pallets 800mm x 1200mm lengthwise | A ₁ (mm) |
| | 4.35 | Turning radius | W ₉ (mm) |
| 4.38 | Distance to swiveling-fork pivot | l ₈ (mm) | |
| 4.39 | Length rotator arm | n (mm) | |
| 4.40 | Width traverse frame | B (mm) | |
| 4.41 | Lost rotator width | F (mm) | |
| 4.42 | Transfer aisle width pallet 1200 x 1200 mm | Au (mm) | |

| | | | |
|------------------|------|-------------------------------|------|
| PERFORMANCE DATA | 5.1 | Travel speed, laden/unladen | km/h |
| | 5.2 | Lift speed, laden/unladen | m/s |
| | 5.3 | Lowering speed, laden/unladen | m/s |
| | 5.4 | Reaching speed, laden/unladen | m/s |
| | 5.7 | Gradeability, laden/unladen | % |
| | 5.10 | Service brake | |

| | | | |
|-----------------|-----|--|---------------------------|
| ELECTRIC ENGINE | 6.1 | Drive motor S2 60 minute rating | kW |
| | 6.2 | Lift motor S3 15% rating | kW |
| | 6.3 | Battery according to DIN 43531/35/36 A,B,C, no | |
| | 6.4 | Battery voltage/nominal capacity K5 | (V)/(Ah) |
| | 6.5 | Battery weight | Kg |
| | 6.6 | Energy consumption according to VDI cycle | kWh/h at number of cycles |

| | | | |
|----------------------|-----|--------------------|--|
| DRIVETRAIN MECHANISM | 8.1 | Type of drive unit | |
|----------------------|-----|--------------------|--|

| | | | |
|-----------------|------|---|--------|
| ADDITIONAL DATA | 10.1 | Operating pressure for attachments | bar |
| | 10.2 | Oil volume for attachments | l/min |
| | 10.7 | Sound pressure level at the driver's seat | dB (A) |

| HYSTER | | HYSTER | | HYSTER | |
|--------------------|--|--------------------|--|--------------------|--|
| C1.0 | | C1.3 | | C1.3 80 | |
| Electric (Battery) | | Electric (Battery) | | Electric (Battery) | |
| Seated / Standing | | Seated / Standing | | Seated / Standing | |
| 1 | | 1.362 | | 1.362 | |
| 600 | | 600 | | 600 | |
| 431 ◆ | | 431 ◆ | | 431 ◆ | |
| 1783 | | 1943 | | 1943 | |

| | | | | | |
|--------|--------|--------|--------|--------|--------|
| 6276 * | | 6701 * | | 6701 * | |
| 5590 * | 1886 * | 5874 * | 2127 * | 5874 * | 2127 * |
| 3796 * | 2480 * | 3987 * | 2714 * | 3987 * | 2714 * |
| TBD | TBD | TBD | TBD | TBD | TBD |
| TBD | TBD | TBD | TBD | TBD | TBD |

| | | | | | |
|---------------------------|------|---------------------------|------|---------------------------|------|
| polyurethane/polyurethane | | polyurethane/polyurethane | | polyurethane/polyurethane | |
| 350 x 140 | | 350 x 140 | | 350 x 140 | |
| 400 x 160 | | 400 x 160 | | 400 x 160 | |
| 2 | 1(x) | 2 | 1(x) | 2 | 1(x) |
| 1080 - 1285 - 1435 - 1585 | | 1080 - 1285 - 1435 - 1585 | | 1080 - 1285 - 1435 - 1585 | |
| 0 | | 0 | | 0 | |

| | | | | | |
|----------------------------------|--|----------------------------------|--|----------------------------------|--|
| see table (mast 2 stg) | | see table (mast 2/3 stg) | | see table (mast 2/3 stg) | |
| - | | - | | - | |
| see table (mast 2 stg) | | see table (mast 2/3 stg) | | see table (mast 2/3 stg) | |
| see table (mast 2 stg) | | see table (mast 2/3 stg) | | see table (mast 2/3 stg) | |
| see table | | see table | | see table | |
| 425 | | 425 | | 425 | |
| 1980 - 2140 - 2720 - 3000 | | 1980 - 2140 - 2720 - 3000 | | 1980 - 2140 - 2720 - 3000 | |
| see table | | see table | | see table | |
| 80 | | 80 | | 80 | |
| 3538 (6) | | 3698 ◆(6) | | 3698 ◆(6) | |
| 4484 ◆ | | 4644 ◆ | | 4644 ◆ | |
| 1220 / 1220 - 1425 - 1575 - 1725 | | 1220 / 1220 - 1425 - 1575 - 1725 | | 1220 / 1220 - 1425 - 1575 - 1725 | |
| 45 / 100 / 1200 ◆ | | 45 / 100 / 1200 ◆ | | 45 / 100 / 1200 ◆ | |
| No | | No | | No | |
| 720 | | 720 | | 720 | |
| 508 ÷ 720 | | 508 ÷ 720 | | 508 ÷ 720 | |
| 1275 - 1475 - 1625 - 1775 | | 1275 - 1475 - 1625 - 1775 | | 1275 - 1475 - 1625 - 1775 | |
| 990 - 1190 - 1340 - 1490 | | 990 - 1190 - 1340 - 1490 | | 990 - 1190 - 1340 - 1490 | |
| 100 | | 100 | | 100 | |
| 75 | | 75 | | 75 | |
| 1600 † | | 1600 † | | 1600 † | |
| 2100 | | 2250 | | 2250 | |
| 1101 ◆△ | | 1101 ◆△ | | 1101 ◆△ | |
| 670 | | 670 | | 670 | |
| 1200 - 1400 - 1550 - 1700 | | 1200 - 1400 - 1550 - 1700 | | 1200 - 1400 - 1550 - 1700 | |
| 210 | | 210 | | 210 | |
| 4140 ◆ | | 4295 ◆ | | 4295 ◆ | |

| | | | | | |
|-----------------------|------|-----------------------|------|-----------------------|------|
| 9.9 | 10 | 10.4 | 10.5 | 10.4 | 10.5 |
| 0.33 | 0.42 | 0.33 | 0.42 | 0.36 | 0.42 |
| 0.50 | 0.50 | 0.50 | 0.50 | 0.60 | 0.60 |
| 0.19 | 0.20 | 0.19 | 0.20 | 0.19 | 0.20 |
| 6 | | 6 | | 6 | |
| electric / mechanical | | electric / mechanical | | electric / mechanical | |

| | | | | | | | | |
|------------|--------|------------|--------|------------|--------|--------|---------|--------|
| 7.5 | | 7.5 | | 8 | | | | |
| 2 x 12 | | 2 x 12 | | 2 x 15 | | | | |
| DIN B | DIN C | DIN C | no | DIN B | DIN C | no | no | DIN A |
| 48/560 | 48/560 | 48/700 | 48/625 | 48/700 | 48/840 | 48/930 | 48/1085 | 80/420 |
| 950 | 1000 | 1300 | 1400 | 1360 | 1360 | | | 1360 |
| on request | | on request | | on request | | | | |

| | | |
|-------------|-------------|-------------|
| AC - MOSFET | AC - MOSFET | AC - MOSFET |
|-------------|-------------|-------------|

| | | |
|------|------|------|
| 150 | 150 | 150 |
| 6 | 6 | 6 |
| < 70 | < 70 | < 70 |

Specification data is based on VDI 2198

| HYSTER | | HYSTER | | HYSTER | | HYSTER | | |
|--------------------|--|--------------------|--|--------------------|--|--------------------|--|-----|
| C1.3 LWB | | C1.5 SWB | | C1.5 MWB | | C1.5 LWB | | 1.1 |
| Electric (Battery) | | Electric (Battery) | | Electric (Battery) | | Electric (Battery) | | 1.2 |
| Seated / Standing | | Seated / Standing | | Seated / Standing | | Seated / Standing | | 1.3 |
| 1.362 | | 1.589 | | 1.589 | | 1.589 | | 1.4 |
| 600 | | 600 | | 600 | | 600 | | 1.5 |
| 431 ↗ | | 431 ↗ | | 431 ↗ | | 431 ↗ | | 1.6 |
| 2063 | | 2063 | | 2193 | | 2388 | | 1.8 |
| | | | | | | | | 1.9 |

DISTINGUISHING MARKS

| 7034 * | | 7170 * | | 7685 * | | 7921 * | | |
|--------|--------|--------|--------|--------|--------|--------|--------|-----|
| 6060 * | 2274 * | 6324 * | 2346 * | 6587 * | 2598 * | 6699 * | 2722 * | 2.1 |
| 4196 * | 2838 * | 4205 * | 2965 * | 4488 * | 3197 * | 4642 * | 3279 * | 2.2 |
| TBD | TBD | TBD | TBD | TBD | TBD | TBD | TBD | 2.3 |
| TBD | TBD | TBD | TBD | TBD | TBD | TBD | TBD | 2.4 |
| TBD | TBD | TBD | TBD | TBD | TBD | TBD | TBD | 2.5 |

WEIGHTS

| polyurethane/polyurethane | | polyurethane/polyurethane | | polyurethane/polyurethane | | polyurethane/polyurethane | | |
|---------------------------|------|---------------------------|------|---------------------------|------|---------------------------|------|-----|
| 350 x 140 | | 350 x 140 | | 350 x 140 | | 350 x 140 | | 3.1 |
| 406 x 178 | | 406 x 178 | | 406 x 178 | | 406 x 178 | | 3.2 |
| 2 | 1(x) | 2 | 1(x) | 2 | 1(x) | 2 | 1(x) | 3.3 |
| 1080 - 1285 - 1435 - 1585 | | 1080 - 1285 - 1435 - 1585 | | 1080 - 1285 - 1435 - 1585 | | 1080 - 1285 - 1435 - 1585 | | 3.5 |
| 0 | | 0 | | 0 | | 0 | | 3.6 |
| | | | | | | | | 3.7 |

TYRES / GRASSIS

| | | | | | | | | |
|----------------------------------|--|----------------------------------|--|----------------------------------|--|----------------------------------|--|--------|
| see table (mast 2/3 stg) | | see table (mast 2/3 stg) | | see table (mast 2/3 stg) | | see table (mast 2/3 stg) | | 4.2 |
| - | | - | | - | | - | | 4.3 |
| see table (mast 2/3 stg) | | see table (mast 2/3 stg) | | see table (mast 2/3 stg) | | see table (mast 2/3 stg) | | 4.4 |
| see table (mast 2/3 stg) | | see table (mast 2/3 stg) | | see table (mast 2/3 stg) | | see table (mast 2/3 stg) | | 4.5 |
| see table | | see table | | see table | | see table | | 4.7 |
| 425 | | 425 | | 425 | | 425 | | 4.8 |
| 1980 - 2140 - 2720 - 3000 | | 1980 - 2140 - 2720 - 3000 | | 1980 - 2140 - 2720 - 3000 | | 1980 - 2140 - 2720 - 3000 | | 4.11 |
| see table | | see table | | see table | | see table | | 4.14 |
| 80 | | 80 | | 80 | | 80 | | 4.15 |
| 3818 ↗ ● △ | | 3818 ↗ ● △ | | 3948 ● △ | | 4143 ● △ | | 4.19 |
| 4764 ↗ | | 4764 ↗ | | 4894 ● | | 5089 ● | | 4.20 |
| 1220 / 1220 - 1425 - 1575 - 1725 | | 1220 / 1220 - 1425 - 1575 - 1725 | | 1220 / 1220 - 1425 - 1575 - 1725 | | 1220 / 1220 - 1425 - 1575 - 1725 | | 4.21 |
| 45 / 100 / 1200 ◆ | | 45 / 100 / 1200 ◆ | | 45 / 100 / 1200 ◆ | | 45 / 100 / 1200 ◆ | | 4.22 |
| No | | No | | No | | No | | 4.23 |
| 720 | | 720 | | 720 | | 720 | | 4.24 |
| 508 ÷ 720 | | 508 ÷ 720 | | 508 ÷ 720 | | 508 ÷ 720 | | 4.25 |
| 1275 - 1475 - 1625 - 1775 | | 1275 - 1475 - 1625 - 1775 | | 1275 - 1475 - 1625 - 1775 | | 1275 - 1475 - 1625 - 1775 | | 4.27 |
| 990 - 1190 - 1340 - 1490 | | 990 - 1190 - 1340 - 1490 | | 990 - 1190 - 1340 - 1490 | | 990 - 1190 - 1340 - 1490 | | 4.29 |
| 100 | | 100 | | 100 | | 100 | | 4.31 |
| 75 | | 75 | | 75 | | 75 | | 4.32 |
| 1600 † | | 1600 † | | 1600 † | | 1600 † | | 4.34.2 |
| 2370 | | 2370 | | 2495 | | 2685 | | 4.35 |
| 1101 ↗ △ | | 1101 ↗ △ | | 1101 ● △ | | 1101 ● △ | | 4.38 |
| 670 | | 670 | | 670 | | 670 | | 4.39 |
| 1200 - 1400 - 1550 - 1700 | | 1200 - 1400 - 1550 - 1700 | | 1200 - 1400 - 1550 - 1700 | | 1200 - 1400 - 1550 - 1700 | | 4.40 |
| 210 | | 210 | | 210 | | 210 | | 4.41 |
| 4410 ↗ | | 4410 ↗ | | 4540 ● | | 4735 ● | | 4.42 |

DIMENSIONS

| | | | | | | | | |
|-----------------------|------|-----------------------|------|-----------------------|------|-----------------------|------|------|
| 10.4 | 10.5 | 10.4 | 10.5 | 10.4 | 10.5 | 10.4 | 10.5 | 5.1 |
| 0.33 | 0.42 | 0.35 | 0.4 | 0.35 | 0.4 | 0.35 | 0.4 | 5.2 |
| 0.50 | 0.50 | 0.60 | 0.60 | 0.60 | 0.60 | 0.60 | 0.60 | 5.3 |
| 0,19 | 0,20 | 0,19 | 0,20 | 0,19 | 0,20 | 0,19 | 0,20 | 5.4 |
| 6 | | 6 | | 6 | | 6 | | 5.7 |
| electric / mechanical | | electric / mechanical | | electric / mechanical | | electric / mechanical | | 5.10 |

PERFORMANCE DATA

| 7.5 | | | | 8 | | | 8 | | | 8 | | | | |
|------------|---------|---------|---------|------------|--------|--------|------------|--------|--------|------------|--------|---------|---------|-----|
| 2 x 12 | | | | 2 x 15 | | | 2 x 15 | | | 2 x 15 | | | | 6.1 |
| no | no | no | no | no | no | DIN A | DIN A | no | no | DIN A | no | no | no | 6.2 |
| 48/875 | 48/1000 | 48/1085 | 48/1240 | 72/625 | 72/775 | 80/560 | 80/700 | 72/750 | 72/780 | 80/840 | 72/875 | 72/1000 | 72/1240 | 6.3 |
| 1400 | 1640 | 1580 | 1792 | 815 | 855 | 1600 | 1900 | 940 | 967 | 1900 | 1070 | 1253 | 1320 | 6.4 |
| on request | | | | on request | | | on request | | | on request | | | | 6.5 |
| | | | | | | | | | | | | | | 6.6 |

ELECTRIC ENGINE

| | | | | |
|-------------|-------------|-------------|-------------|-----|
| AC - MOSFET | AC - MOSFET | AC - MOSFET | AC - MOSFET | 8.1 |
|-------------|-------------|-------------|-------------|-----|

DRIVE TRAIN MECHANISM

| | | | | |
|------|------|------|------|------|
| 150 | 150 | 150 | 150 | 10.1 |
| 6 | 6 | 6 | 6 | 10.2 |
| < 70 | < 70 | < 70 | < 70 | 10.3 |

ADDITIONAL DATA

MAST INFORMATION

Values shown are for standard equipment. When using non-standard equipment these values may change. Please contact your Hyster dealer for information.

2 STAGE TRI-FORM MAST

| MODEL | MFH H | OALH h1 | OALH h6 (Mini Mast) | FL h9 | ML h3 | Ext Ht W/LBRX h4' | Ext Ht h4 | Platform Ht h12 |
|--|----------|------------|---------------------------|----------|----------|-------------------------|--------------|--------------------|
| | mm | mm | mm | mm | mm | mm | mm | mm |
| C1.0 C1.3 C1.3 80 C1.3 LWB C1.5 SWB | 5235 | 2740 | 3020 | 1980 | 3180 | 6237.0 | 6200 | 3605 |
| | 5735 | 2990 | 3020 | 1980 | 3680 | 6737.0 | 6700 | 4105 |
| | 6235 | 3240 | 3020 | 1980 | 4180 | 7237.0 | 7200 | 4605 |
| | 6335 | 3290 | 3020 | 1980 | 4280 | 7337.0 | 7300 | 4705 |
| | 6735 | 3490 | 3020 | 1980 | 4680 | 7737.0 | 7700 | 5105 |
| | 6935 | 3590 | 3020 | 1980 | 4880 | 7937.0 | 7900 | 5305 |
| | 7235 | 3740 | 3020 | 1980 | 5180 | 8237.0 | 8200 | 5605 |
| 7535 | 3890 | 3020 | 1980 | 5480 | 8537.0 | 8500 | 5905 | |
| 7735 | 3990 | 3020 | 1980 | 5680 | 8737.0 | 8700 | 6105 | |
| C1.3 C1.3 80 C1.3 LWB C1.5 SWB | 8035 | 4140 | 3020 | 1980 | 5980 | 9037.0 | 9000 | 6405 |
| | 8135 | 4190 | 3020 | 1980 | 6080 | 9137.0 | 9100 | 6505 |
| | 8235 | 4240 | 3020 | 1980 | 6180 | 9237.0 | 9200 | 6605 |
| | 8535 | 4390 | 3020 | 1980 | 6480 | 9537.0 | 9500 | 6905 |
| | 8735 | 4490 | 3020 | 1980 | 6680 | 9737.0 | 9700 | 7105 |
| | 9035 | 4640 | 3020 | 1980 | 6980 | 10037.0 | 10000 | 7405 |
| | 9235 | 4740 | 3020 | 1980 | 7180 | 10237.0 | 10200 | 7605 |
| | 9335 | 4790 | 3020 | 1980 | 7280 | 10337.0 | 10300 | 7705 |
| | 9535 | 4890 | 3020 | 1980 | 7480 | 10537.0 | 10500 | 7905 |
| | 9735 | 4990 | 3020 | 1980 | 7680 | 10737.0 | 10700 | 8105 |
| | 9915 | 5240 | 3020 | 1980 | 7860 | 10917.0 | 10880 | 8285 |
| | 10215 | 5390 | 3020 | 1980 | 8160 | 11217.0 | 11180 | 8585 |
| | 10515 | 5540 | 3020 | 1980 | 8460 | 11517.0 | 11480 | 8885 |
| | 10915 | 5740 | 3020 | 1980 | 8860 | 11917.0 | 11880 | 9285 |
| | 11415 | 5990 | 3020 | 1980 | 9360 | 12417.0 | 12380 | 9785 |
| 11615 | 6090 | 3020 | 1980 | 9560 | 12617.0 | 12580 | 9985 | |
| 11915 | 6240 | 3020 | 1980 | 9860 | 12917.0 | 12880 | 10285 | |
| 12315 | 6440 | 3020 | 1980 | 10260 | 13317.0 | 13280 | 10685 | |

3 STAGE TRI-FORM MAST

| MODEL | MFH H | OALH h1 | OALH h6 (Mini Mast) | FL h9 | ML h3 | Ext Ht W/LBRX h4' | Ext Ht h4 | Platform Ht h12 |
|---|----------|------------|---------------------------|----------|----------|-------------------------|--------------|--------------------|
| | mm | mm | mm | mm | mm | mm | mm | mm |
| C1.3 C1.3 80 C1.3 LWB C1.5 SWB | 5625 | 2490 | 3020 | 1980 | 3570 | 6627.0 | 6590 | 3995 |
| | 6375 | 2740 | 3020 | 1980 | 4320 | 7377.0 | 7340 | 4745 |
| | 7125 | 2990 | 3020 | 1980 | 5070 | 8127.0 | 8090 | 5495 |
| | 7875 | 3240 | 3020 | 1980 | 5820 | 8877.0 | 8840 | 6245 |
| | 8625 | 3490 | 3020 | 1980 | 6570 | 9627.0 | 9590 | 6995 |
| | 9375 | 3740 | 3020 | 1980 | 7320 | 10377.0 | 10340 | 7745 |
| | 10125 | 3990 | 3020 | 1980 | 8070 | 11127.0 | 11090 | 8495 |
| | 10875 | 4240 | 3020 | 1980 | 8820 | 11877.0 | 11840 | 9245 |
| | 11625 | 4490 | 3020 | 1980 | 9570 | 12627.0 | 12590 | 9995 |
| | 12375 | 4740 | 3020 | 1980 | 10320 | 13377.0 | 13340 | 10745 |

MAST INFORMATION

Values shown are for standard equipment. When using non-standard equipment these values may change. Please contact your Hyster dealer for information.

2 STAGE QUAD-FORM MAST

| MODEL | MFH H | OALH h1 | OALH h6 (Mini Mast) | FL h9 | ML h3 | Ext Ht W/LBRX h4' | Ext Ht h4 | Platform Ht h12 |
|------------------------------------|----------|------------|---------------------------|----------|----------|-------------------------|--------------|--------------------|
| | mm | mm | mm | mm | mm | mm | mm | mm |
| C1.5 MWB C1.5 LWB | 5415 | 2990 | 3020 | 1980 | 3360 | 6417 | 6380 | 3785 |
| | 5915 | 3240 | 3020 | 1980 | 3860 | 6917 | 6880 | 4285 |
| | 6415 | 3490 | 3020 | 1980 | 4360 | 7417 | 7380 | 4785 |
| | 6915 | 3740 | 3020 | 1980 | 4860 | 7917 | 7880 | 5285 |
| | 7415 | 3990 | 3020 | 1980 | 5360 | 8417 | 8380 | 5785 |
| | 7915 | 4240 | 3020 | 1980 | 5860 | 8917 | 8880 | 6285 |
| | 8415 | 4490 | 3020 | 1980 | 6360 | 9417 | 9380 | 6785 |
| | 8915 | 4740 | 3020 | 1980 | 6860 | 9917 | 9880 | 7285 |
| | 9415 | 4990 | 3020 | 1980 | 7360 | 10417 | 10380 | 7785 |
| | 9915 | 5240 | 3020 | 1980 | 7860 | 10917 | 10880 | 8285 |
| | 10215 | 5390 | 3020 | 1980 | 8160 | 11217 | 11180 | 8585 |
| | 10915 | 5740 | 3020 | 1980 | 8860 | 11917 | 11880 | 9285 |
| | 11415 | 5990 | 3020 | 1980 | 9360 | 12417 | 12380 | 9785 |
| | 11915 | 6240 | 3020 | 1980 | 9860 | 12917 | 12880 | 10285 |
| 12315 | 6440 | 3020 | 1980 | 10260 | 13317 | 13280 | 10685 | |

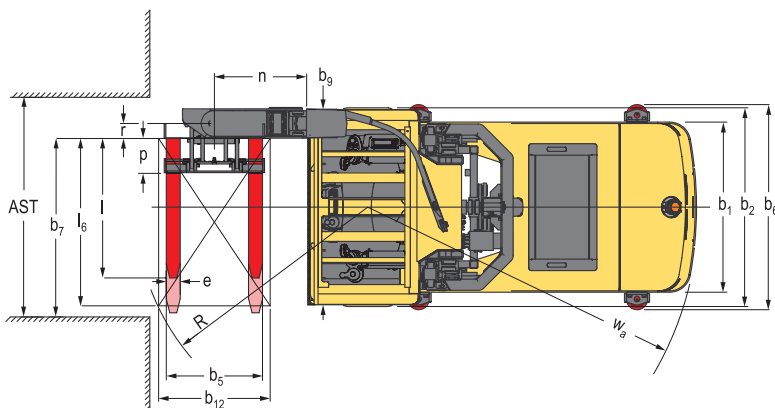
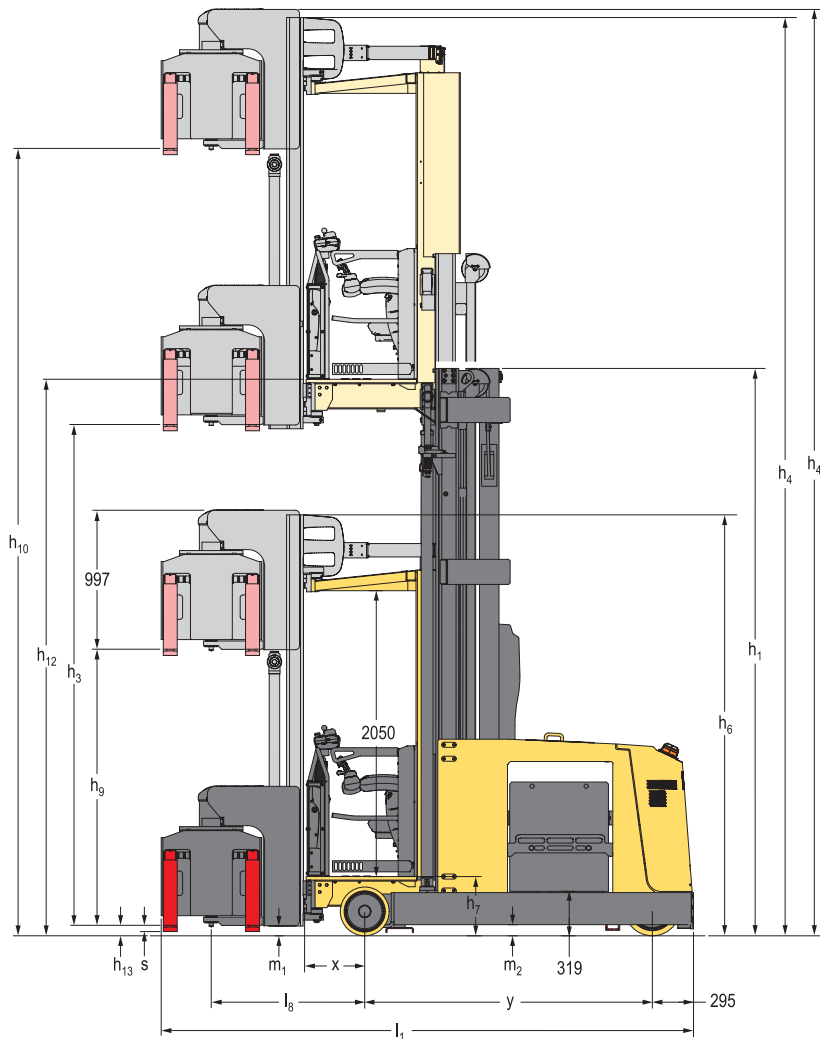
3 STAGE QUAD-FORM MAST

| MODEL | MFH H | OALH h1 | OALH h6 (Mini Mast) | FL h9 | ML h3 | Ext Ht W/LBRX h4' | Ext Ht h4 | Platform Ht h12 |
|------------------------------------|----------|------------|---------------------------|----------|----------|-------------------------|--------------|--------------------|
| | mm | mm | mm | mm | mm | mm | mm | mm |
| C1.5 MWB C1.5 LWB | 6945 | 2990 | 3020 | 1980 | 4890 | 7947 | 7910 | 5315 |
| | 7695 | 3240 | 3020 | 1980 | 5640 | 8697 | 8660 | 6065 |
| | 8445 | 3490 | 3020 | 1980 | 6390 | 9447 | 9410 | 6815 |
| | 9195 | 3740 | 3020 | 1980 | 7140 | 10197 | 10160 | 7565 |
| | 9945 | 3990 | 3020 | 1980 | 7890 | 10947 | 10910 | 8315 |
| | 10695 | 4240 | 3020 | 1980 | 8640 | 11697 | 11660 | 9065 |
| | 11445 | 4490 | 3020 | 1980 | 9390 | 12447 | 12410 | 9815 |
| | 12195 | 4740 | 3020 | 1980 | 10140 | 13197 | 13160 | 10565 |
| | 12945 | 4990 | 3020 | 1980 | 10890 | 13947 | 13910 | 11315 |
| | 13695 | 5240 | 3020 | 1980 | 11640 | 14697 | 14660 | 12065 |
| | 15945 | 5990 | 3020 | 1980 | 13890 | 16947 | 16910 | 14315 |

AUXILIARY MINI MAST OPTIONS

| FL h9 | OALH, h6 (Mini Mast) | Delta H | Ext Ht W/h3 = 0 h6' | Delta h6 | Delta h9 | h6' - h6 | Delta h4' | Delta h4 | MiniMast CL |
|----------|-------------------------|------------|------------------------|-------------|-------------|----------|--------------|-------------|-------------|
| mm | mm | mm | mm | mm | mm | mm | mm | mm | mm |
| 1980 | 3020 | 0 | 3057 | 0 | 0 | 37 | 0 | 0 | 2950 |
| 2140 | 3020 | 160 | 3217 | 0 | 160 | 197 | 197 | 0 | 2950 |
| 2720 | 3585 | 740 | 3797 | 565 | 740 | 212 | 777 | 565 | 3515 |
| 3000 | 3865 | 1020 | 4077 | 845 | 1020 | 212 | 1057 | 845 | 3795 |

TRUCK DIMENSIONS



NOTE:

Specifications are affected by the condition of the vehicle and how it is equipped, as well as the nature and condition of the operating area. If these specifications are critical, the proposed application should be discussed with your dealer.

- * Values for Truck type / Mast height
- ◆ +76mm for 3 stage mast with "n" = 670 (C1.0, C1.3, C1.380, C1.3LWB, C1.5SWB)
- +150mm for 3 stage mast with "n"=670 mm (C1.5MWB, C1.5LWB)
- ◆ Available fork length
800 - 1000 - 1066 - 1200 mm
- † Ast : load dimension function
- △ -100mm for "n" = 570 mm
- ◇ Au = R + Wa + 200 mm
- ⊗ Forks nested
- ▲ Forks forward = 1200 fork length
- These values may vary of +/- 5%
- ✕ Value referred to S3 25%

All values are nominal values and they are subject to tolerances. For further information, please contact the manufacturer.

NOTICE

Care must be exercised when handling elevated loads. When the carriage and/or load is elevated, truck stability is reduced. It is important that mast tilt in either direction be kept to a minimum when loads are elevated. Operators must be trained and adhere to the instructions contained in the Operating Manual. Hyster products are subject to change without notice. Lift trucks illustrated may feature optional equipment. Values may vary with alternative configurations.

CE Safety:

This truck conforms to the current EU requirements.

PRODUCT FEATURES

DEPENDABILITY

- C1.0-1.5 have been through over intense test cycles, including stress analysis, endurance, thermal and stability tests, as well as field tests in multiple customer applications.
- Patented QUAD-form mast design gives increased rigidity and torsional strength.
- No need for additional support or bracing due to Hyster mast design.

PRODUCTIVITY

- 30 kW / 80 V motors provides industry leading level of performance
- Max flexibility through slim turret head allows the truck to work in very small aisles
- Integral pantograph on the turret head.
- Excellent fork tip visibility improves handling and controllability.
- Standard load weight sensing calculates speed to height to weight for maximum performance.

ERGONOMICS

- Hyster C-series is designed and built around operator needs, providing comfortable driving experience and maximum handling efficiency.
- Patented seat provides optimal driver comfort: spring-loaded, return to centre, rotating and adjustable to suit a wide range of operator weights.
- Maximum comfort and leg room through unrivalled cabin space.
- Forward-mounted with 3-way adjustable controls
- Seat-side controls, specifically designed for intensive pallet handling environment.
- Fully adjustable operator controls, for standing and seated positions.
- Infrared sensors to detect operator presence, avoids the need for continual pressure on a button
- Patented large foot sensor gives the driver maximum freedom of movement.

COST OF OWNERSHIP

- Sealed AC motors minimize maintenance.
- CANbus electronic communication and thermal management systems to keep maintenance to a minimum.
- 1 000 hrs service intervals.
- Efficient energy management system keeps the truck working through extended shifts.
- Wide range of truck configurations and options allows customer to select the most productive and cost efficient model for any application.

SERVICEABILITY

- Electric Truck AC Control (ETACC) PC-based diagnostic tool.
- Easy service access speeds up maintenance and improve uptime.
- Vehicle System Manager (VSM) delivers diagnostic data to the dash display, anticipating maintenance needs and improving faults diagnosis, as well as aiding correction.

STRONG PARTNERS. TOUGH TRUCKS.™

FOR DEMANDING OPERATIONS, EVERYWHERE.

Hyster supplies a complete range of warehouse equipment, IC and electric counterbalanced trucks, container handlers and reach stackers. Hyster is committed to being much more than a lift truck supplier.

Our aim is to offer a complete partnership capable of responding to the full spectrum of material handling issues: Whether you need professional consultancy on your fleet management, fully qualified service support, or reliable parts supply, you can depend on Hyster.

Our network of highly trained dealers provides expert, responsive local support. They can offer cost-effective finance packages and introduce effectively managed maintenance programmes to ensure that you get the best possible value. Our business is dealing with your material handling needs so you can focus on the success of your business today and in the future.



HYSTER EUROPE

Centennial House, Frimley Business Park, Frimley, Surrey, GU16 7SG, England.

Tel: +44 (0) 1276 538500



www.hyster.eu



infoeurope@hyster.com



[/HysterEurope](https://www.facebook.com/HysterEurope)




[@HysterEurope](https://twitter.com/HysterEurope)




[/HysterEurope](https://www.youtube.com/HysterEurope)



HYSTER-YALE UK LIMITED trading as Hyster Europe. Registered Address: Centennial House, Building 4.5, Frimley Business Park, Frimley, Surrey, GU16 7SG, United Kingdom. Registered in England and Wales. Company Registration Number: 02636775.

HYSTER,  and FORTENS are registered trademarks in the European Union and certain other jurisdictions.

MONOTROL® is a registered trademark, and DURAMATCH and  are trademarks in the United States and in certain other jurisdictions.

Hyster products are subject to change without notice. Lift trucks illustrated may feature optional equipment.